

PENDENT 18k GOLD

MATERIALS	
Roundtube	3,00 (diameter) x 0,60 x 30,00 mm
Wire	0,80 (diameter) x 120,00 mm
Sheet	35,00 x 20,00 x 1,20 mm
Sheet	50,00 x 110,00 x 1,00 mm

Test Project for the 42nd WorldSkills
Competition in Leipzig, Germany 2013.
Copyright© 2011 Worldskills International.
All Rights Reserved.



Skill: 27 - Jewellery

Scale: 1:1 | Date: 2013 | Paper: A4

Drawn / Design by: Claudinei Rempel

Drawing No: TP27_42GR_BR_01

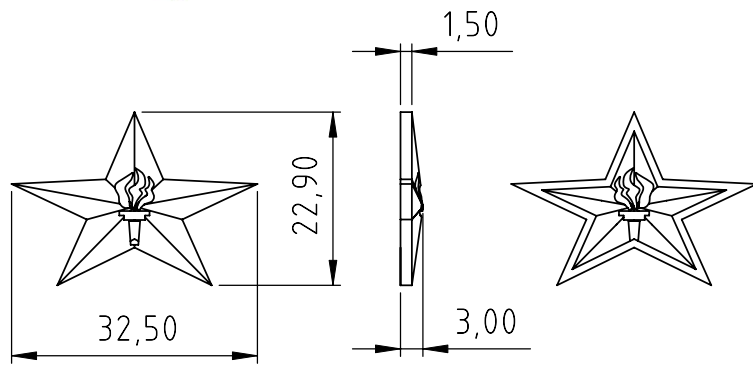
Description: 20H Test Project

Rev:

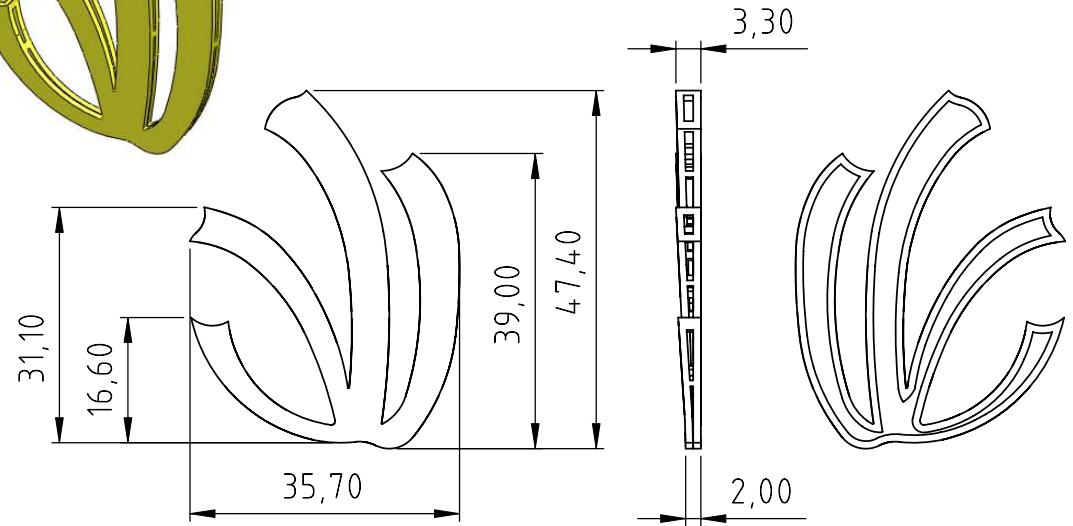
Page: 1/2



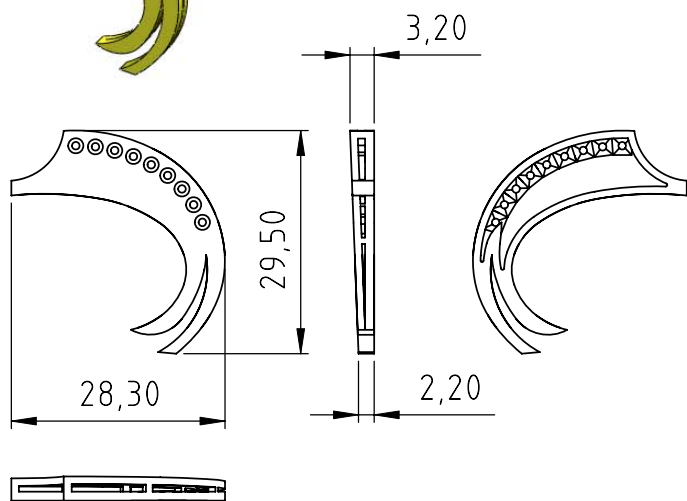
Módulo 1
5 horas



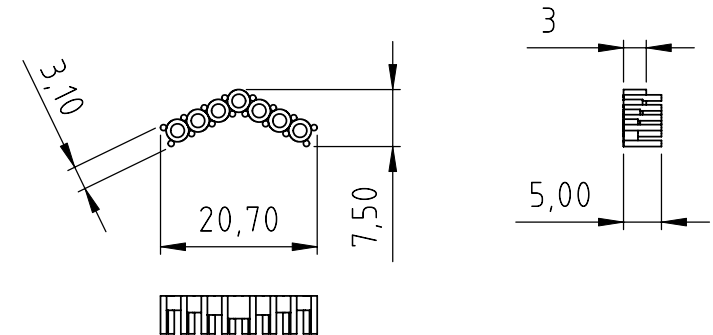
Módulo 2
5 horas



Módulo 3
5 horas



Módulo 4
5 horas



Test Project for the 42nd WorldSkills
Competition in Leipzig, Germany 2013.
Copyright© 2011 Worldskills International.
All Rights Reserved.



Skill: 27 - Jewellery			
Scale: 1:1	Date: 2013	Paper: A4	
Drawn / Design by: Claudinei Rempel			Drawing No: TP27_42GR_BR_01
Description: 20H Test Project			Rev: Page: 2/2