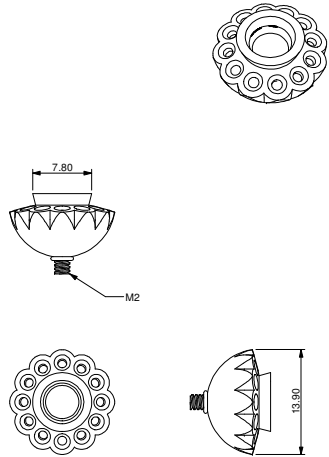
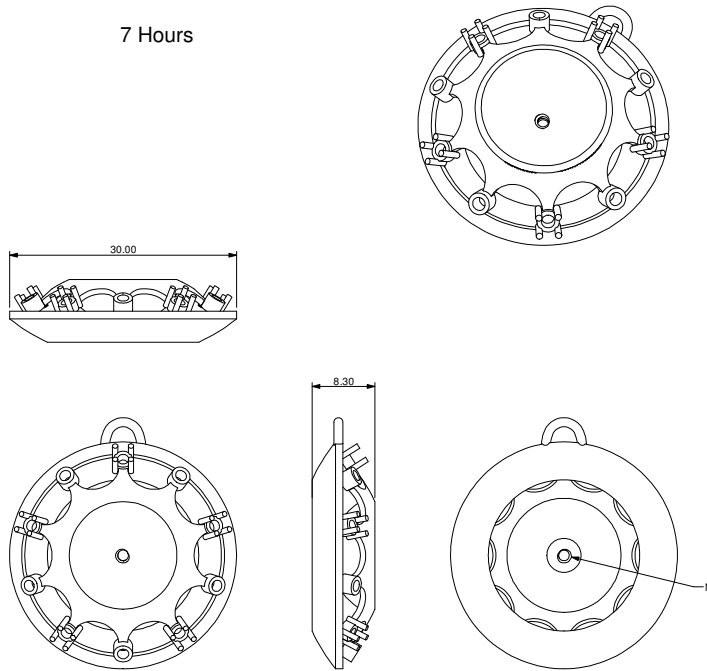


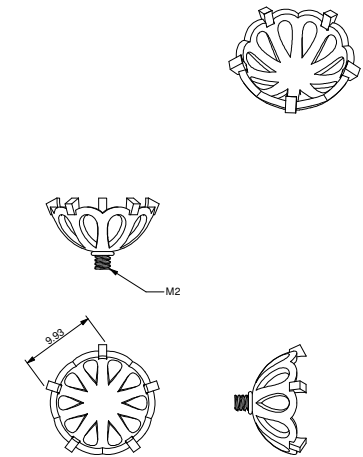
Module 2  
5 Hours



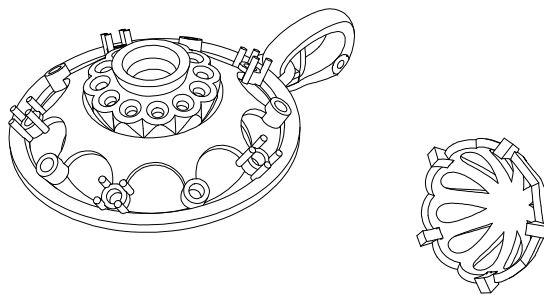
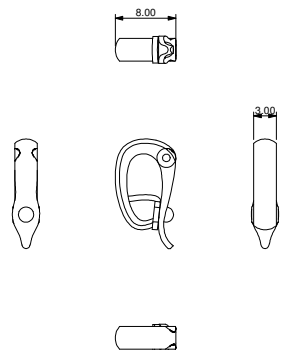
Module 1  
7 Hours



Module 3  
5 Hours



Module 4  
5 Hours



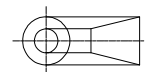
Material: AU 750

Sheet: 1.2 x 45 x 60mm  
Tube: 2.50 x 35mm (Wall thickness 0.5mm)  
Round wire: 1.2 x 80mm  
Round wire: 2 x 15mm

Test Project for the 42th WorldSkills  
Competition - Leipzig, Germany 2013



Skill: 27 - Jewellery



Scale 1:1 | Date: 2011 | Paper: A4

Drawn by: David Rust CH

Drawing: TP27\_42GR\_CH\_01

Description : 22H Test Project

Rev.

Page 1/1